

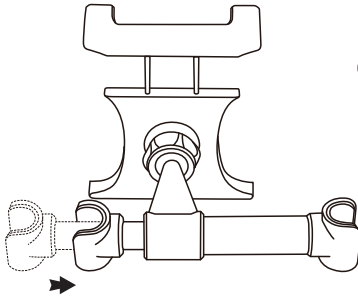
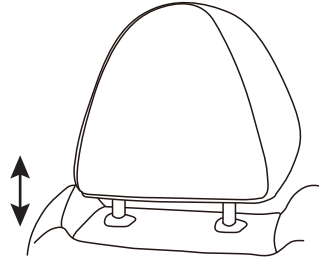


POWERWAVE
ACCESSORIES

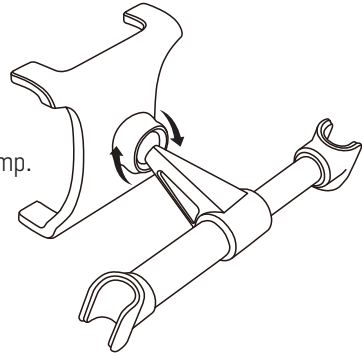
SWITCH CAR MOUNT

INSTRUCTIONS

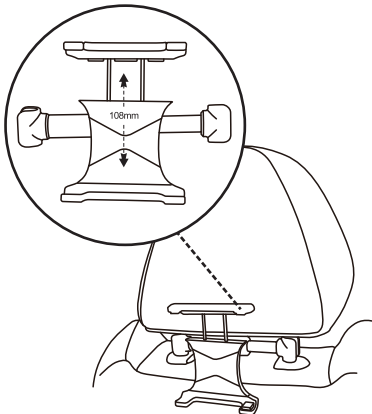
- 1 Adjust the height of your car headrest to allow room for the mount to fit.



- 2 Squeeze together the Headrest clamps and install in-between your car Headrests poles. Ensure the Headrest clamps fit snugly.



- 3 Adjust the viewing angle by loosening the ball and joint clamp. Tighten firmly before use.



- 4 Insert the Switch Console into the Car Mount by extending the front Clamp. This mount is designed to fit devices up to 108mm high.

- 5 To remove, reverse the above process.